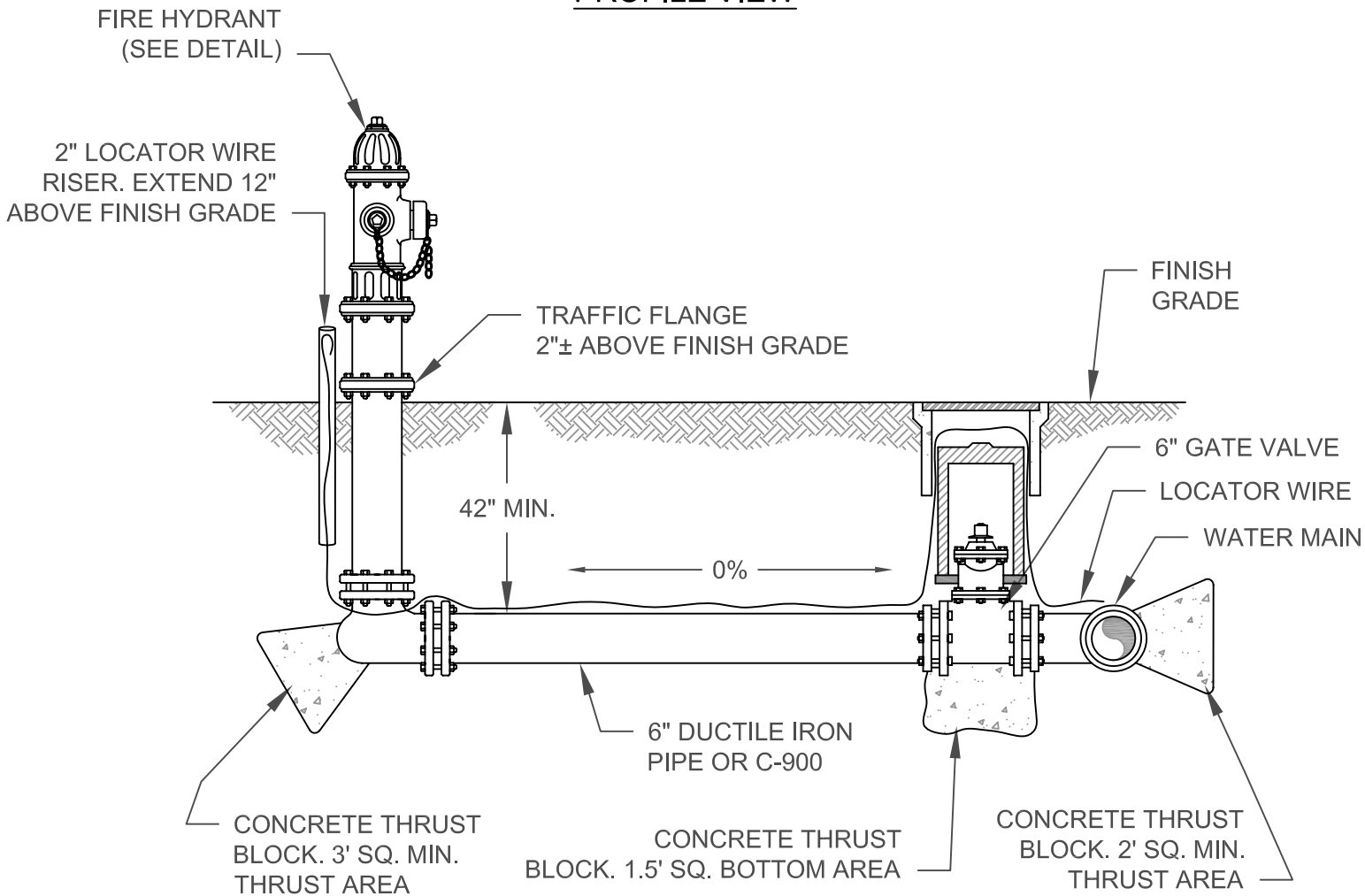
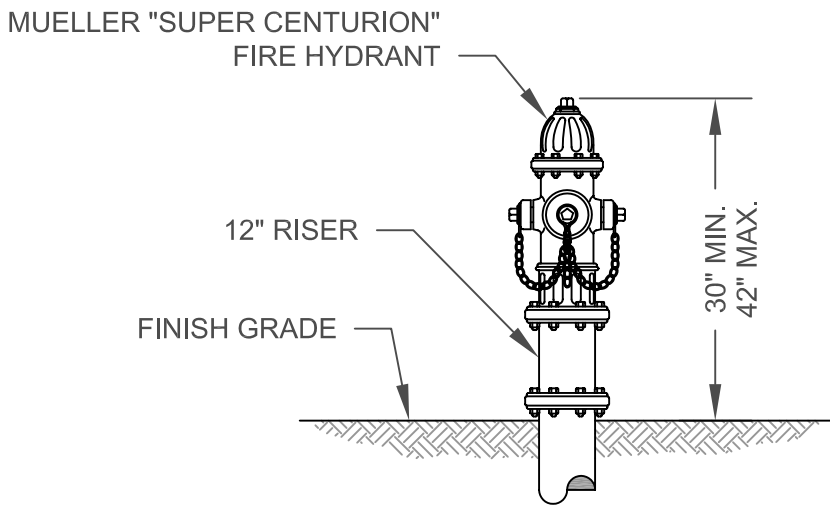


PROFILE VIEW



DETAIL



NORTHSTAR C.S.D.

FIRE HYDRANT DETAIL

908 NORTHSTAR DR. TRUCKEE, CA

DATE: APR. 2003

DRAWN: JW

APPROVED: MS

SCALE: NONE

DIR.: WATER

DWG. FILE: WO-11

FIGURE: **11**