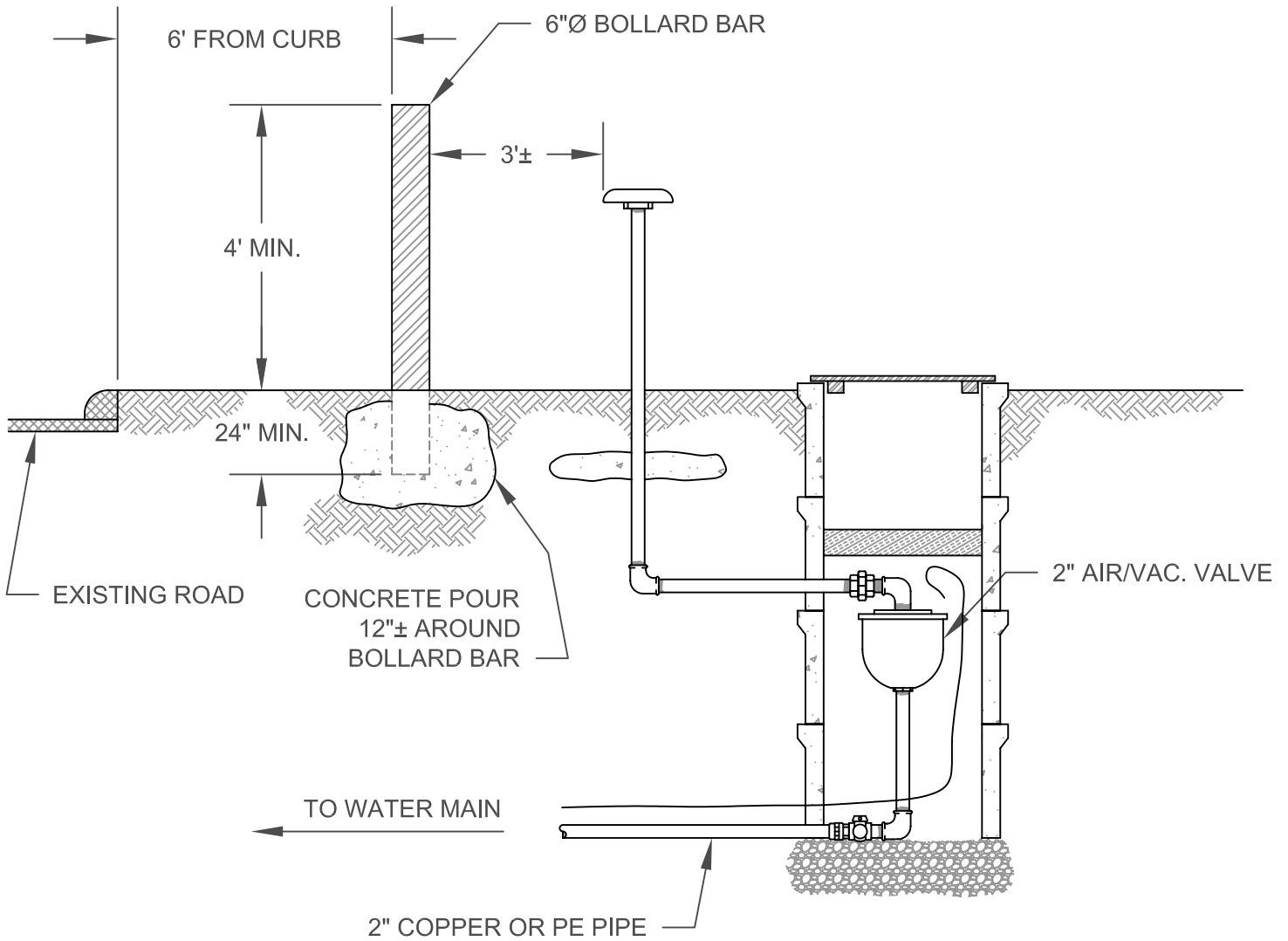


PROFILE VIEW



NORTHSTAR C.S.D.

BOLLARD BAR DETAIL FOR
COMBINATION AIR/VAC. VALVES

908 NORTHSTAR DR. TRUCKEE, CA

DATE: APR. 2003

DRAWN: JW

APPROVED: MS

SCALE: NONE

DIR.: WATER

DWG. FILE: WO-14

FIGURE:

14