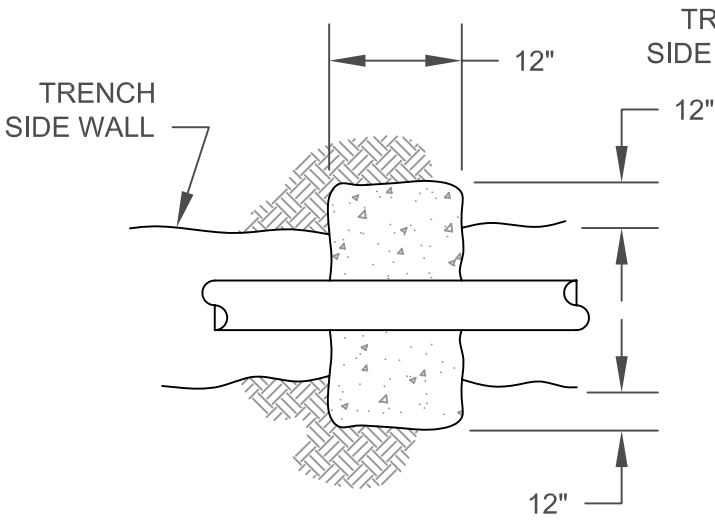
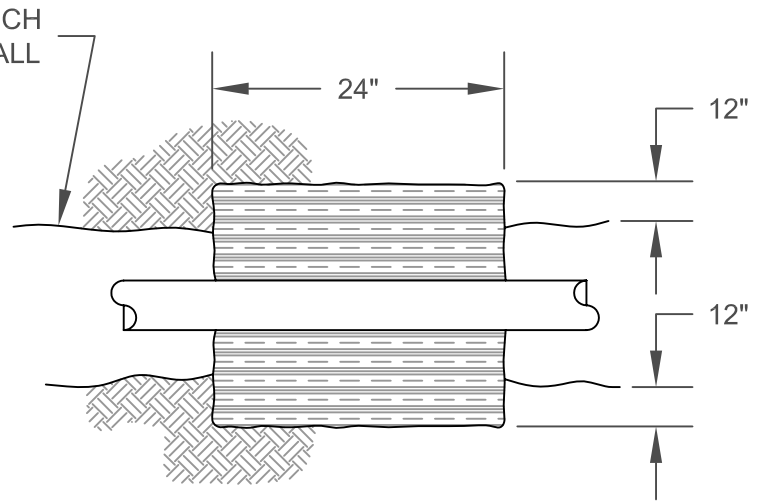


1 SACK/CY CEMENT SLURRY

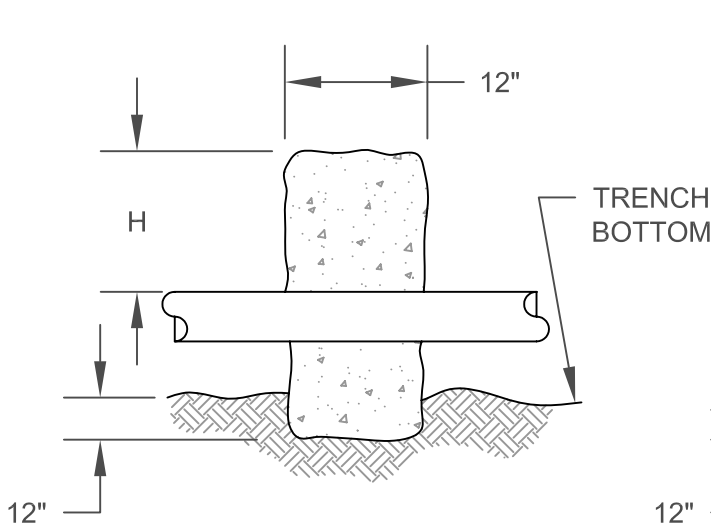
BENTONITE CLAY



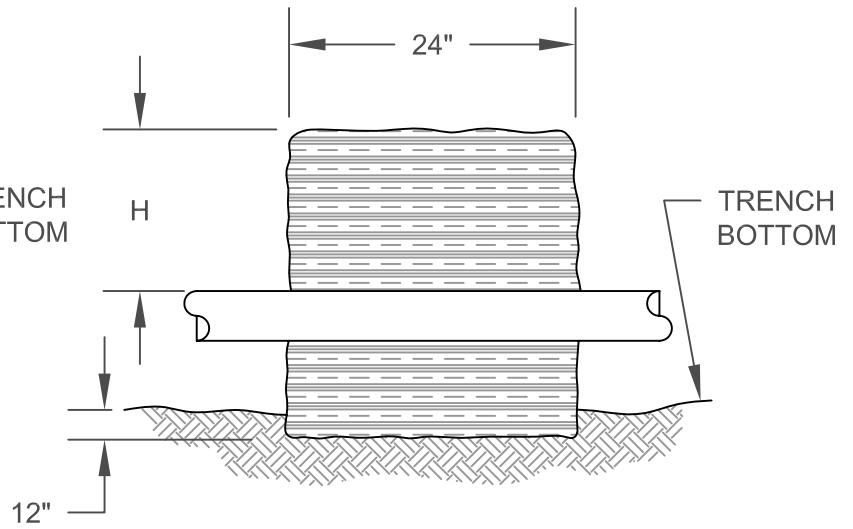
PLAN VIEW



PLAN VIEW



PROFILE VIEW



PROFILE VIEW

H = 12" ABOVE SEASONAL HIGH  
GROUNDWATER TABLE (36" MIN.)



**NORTHSTAR C.S.D.**

TRENCH CUT-OFF BLOCK

908 NORTHSTAR DR. TRUCKEE, CA

DATE: APR. 2003

DRAWN: JW

APPROVED: MS

SCALE: NONE

DIR.: WATER

DWG. FILE: WO-23

FIGURE: **23**