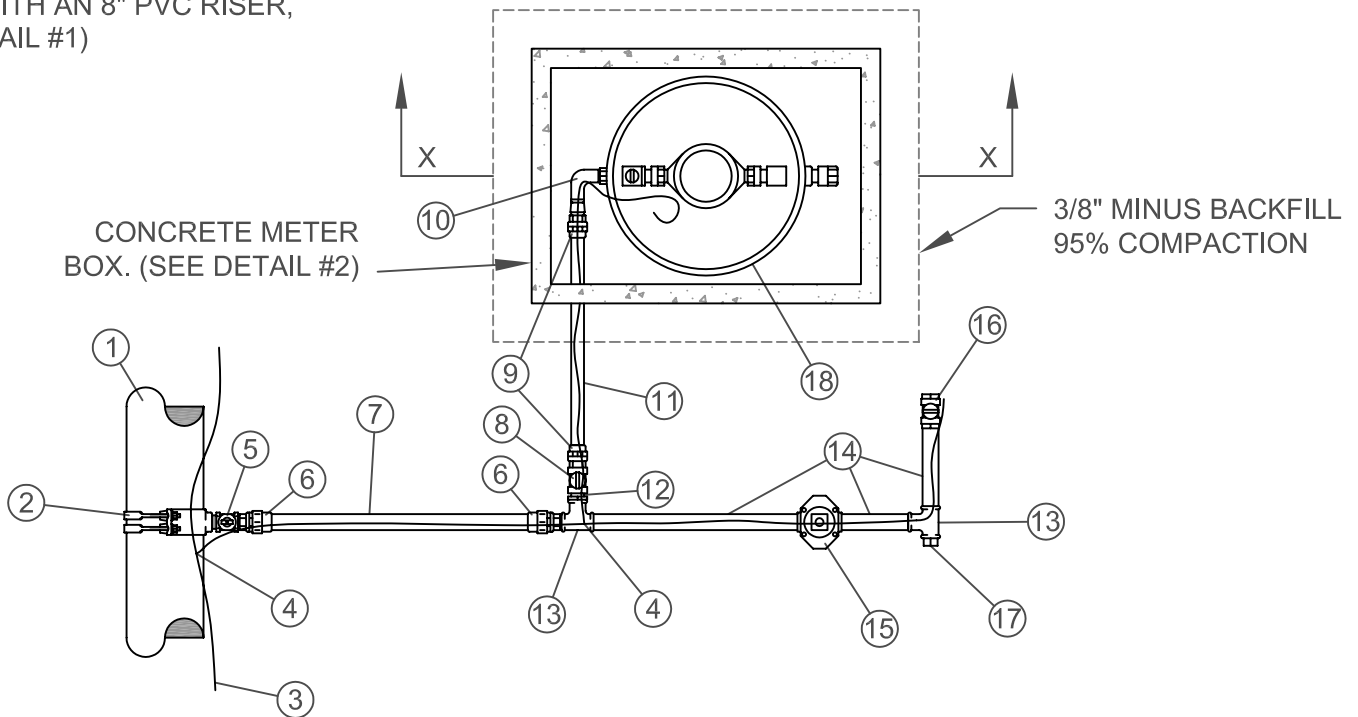


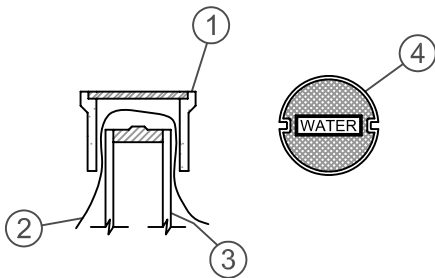
PLAN VIEW

ITEMS #15 AND #16 ARE TO BE BOXED WITH AN 8" PVC RISER, (SEE DETAIL #1)



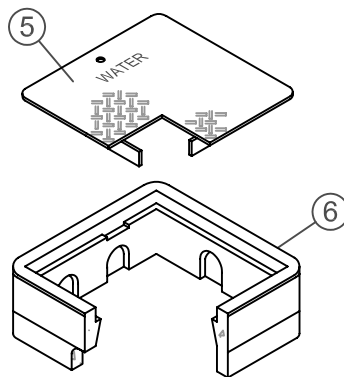
- | | | |
|---------------------------|-------------------------------|-----------------------------|
| 1. WATER MAIN | 7. 2" PE OR COPPER PIPE (IPS) | 13. 2" BRASS TEE |
| 2. 2" SERVICE SADDLE | 8. 1" CURB BALL VALVE | 14. 2" BRASS NIPPLE |
| 3. LOCATOR WIRE | 9. 1" COMPRESSION FITTING | 15. 2" RESILIENT WEDGE G.V. |
| 4. WIRE SPLICE | 10. 1" STREET ELL | 16. 2" CURB BALL VALVE |
| 5. 2" CORP. STOP | 11. 1" PE OR TYPE "K" COPPER | 17. 2" BRASS CAP |
| 6. 2" COMPRESSION FITTING | 12. 2" TO 1" REDUCER | 18. MUELLER METER BOX |

DETAIL #1



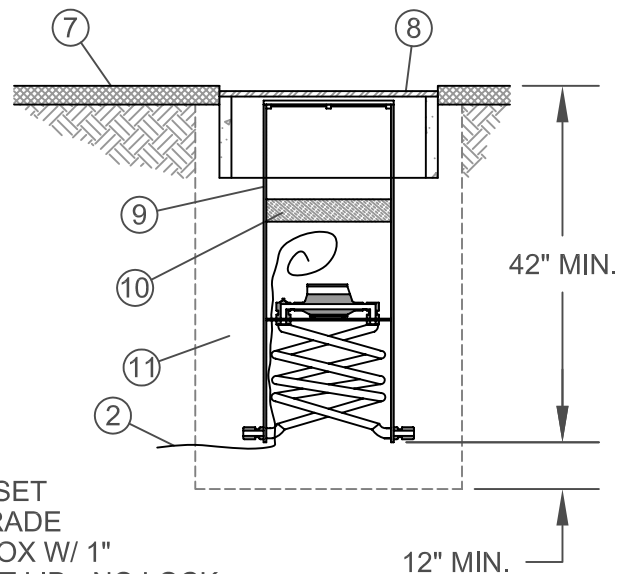
1. CHRISTY "G5" CONCRETE VALVE BOX
2. LOCATOR WIRE
3. 8" PVC RISER W/ AN OSHA APPROVED LOCKING DEBRIS CAP
4. TRAFFIC TYPE CAST IRON LID
5. 1/4" STEEL CHECKER PLATE TRAFFIC COVER W/ LIFT HOLE. MARKED "WATER"
6. CONCRETE METER BOX
7. FINISH GRADE. 3" MIN. COMPACTED ASPHALT

DETAIL #2



8. TRAFFIC RATED BOX SET 1/2" BELOW FINISH GRADE
9. 1" MUELLER METER BOX W/ 1" HARDWARE. 18"Ø FLAT LID - NO LOCK
10. INSULATION PAD
11. 3/8" MINUS BACKFILL. 95% COMPACTION

SECTION X - X



NORTHSTAR C.S.D.

SINGLE SERVICE DETAIL FOR
PAVED AND TRAFFIC AREAS

908 NORTHSTAR DR. TRUCKEE, CA

DATE: APR. 2003

DRAWN: JW

APPROVED: MS

SCALE: NONE

DIR.: WATER

DWG. FILE: WO-4

FIGURE:

4

