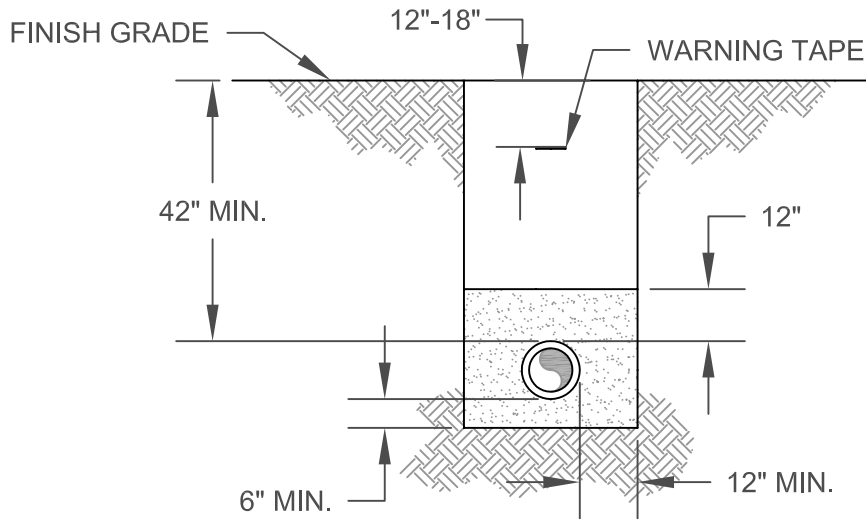
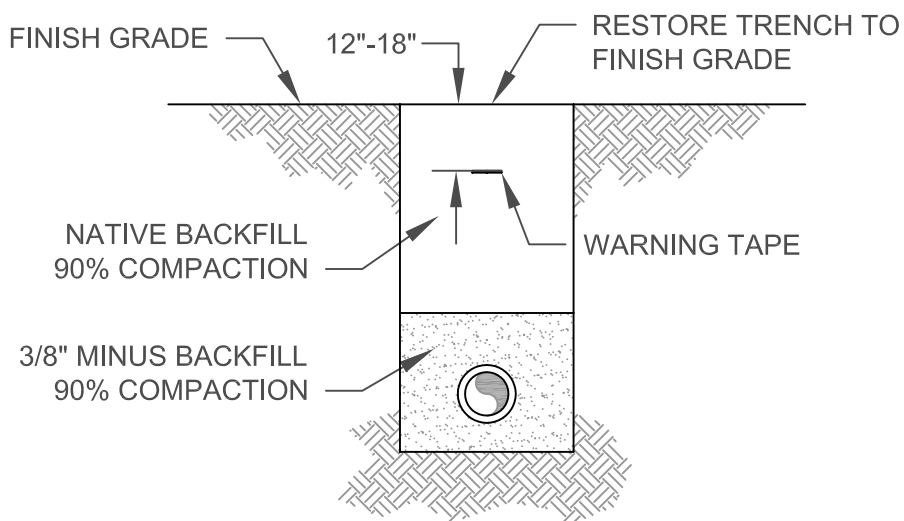


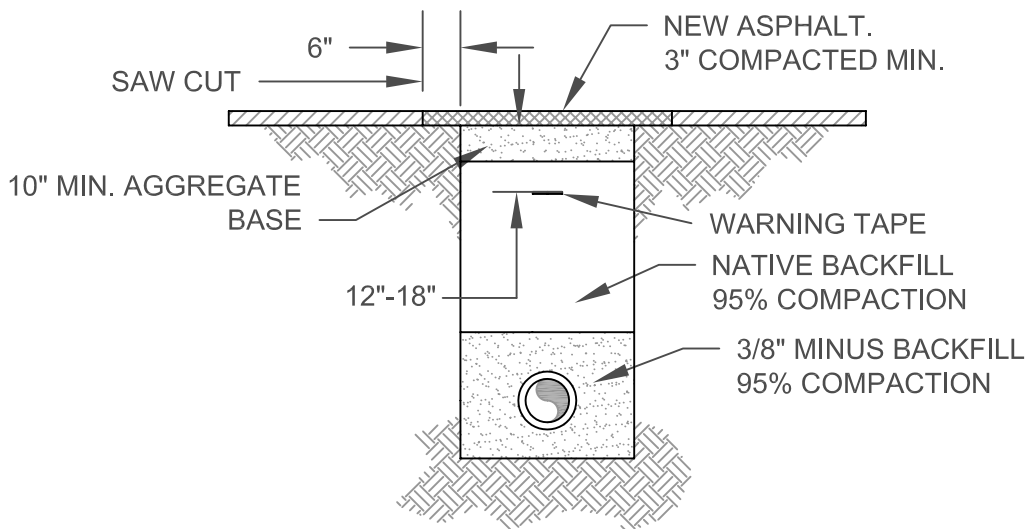
TRENCH DIMENSIONAL LAYOUT



UNPAVED AREAS



PAVEMENT AREAS



NORTHSTAR C.S.D.

DATE: APR. 2003

DIR.: WATER

WATER MAIN TRENCH DETAIL

DRAWN: JW

DWG. FILE: WO-7

APPROVED: MS

FIGURE:

7

908 NORTHSTAR DR. TRUCKEE, CA

SCALE: NONE